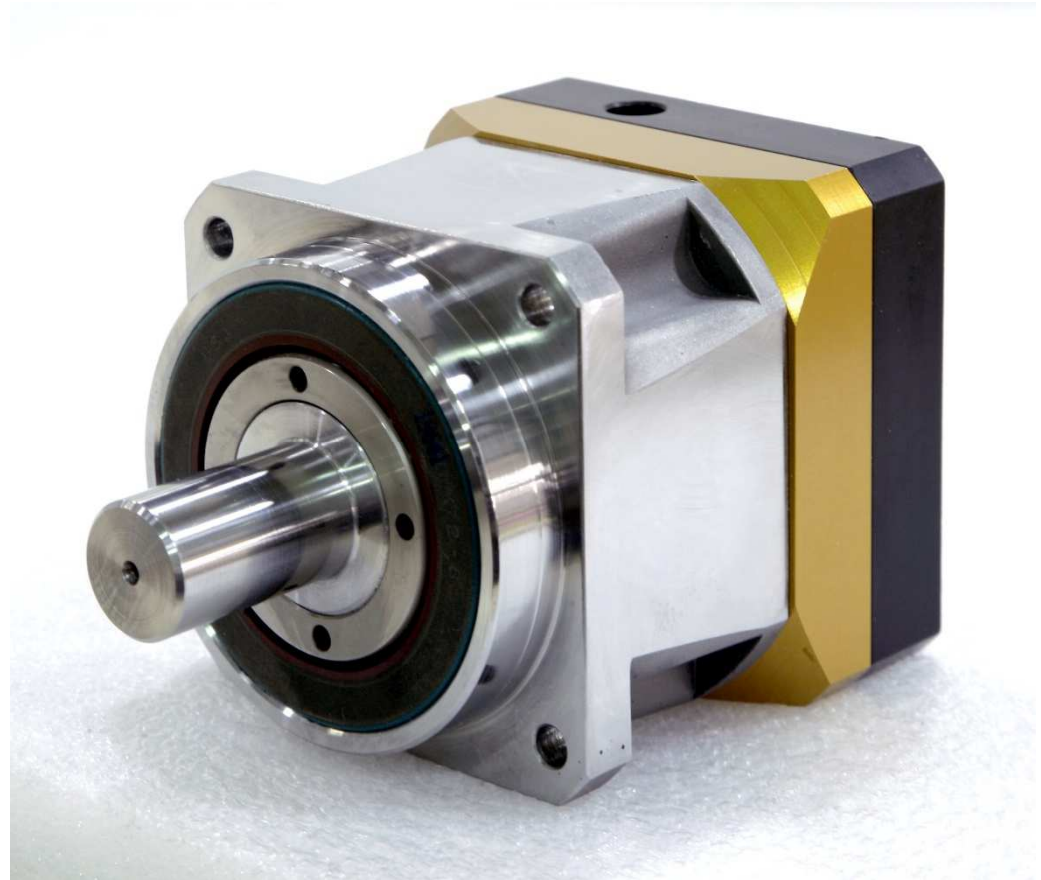
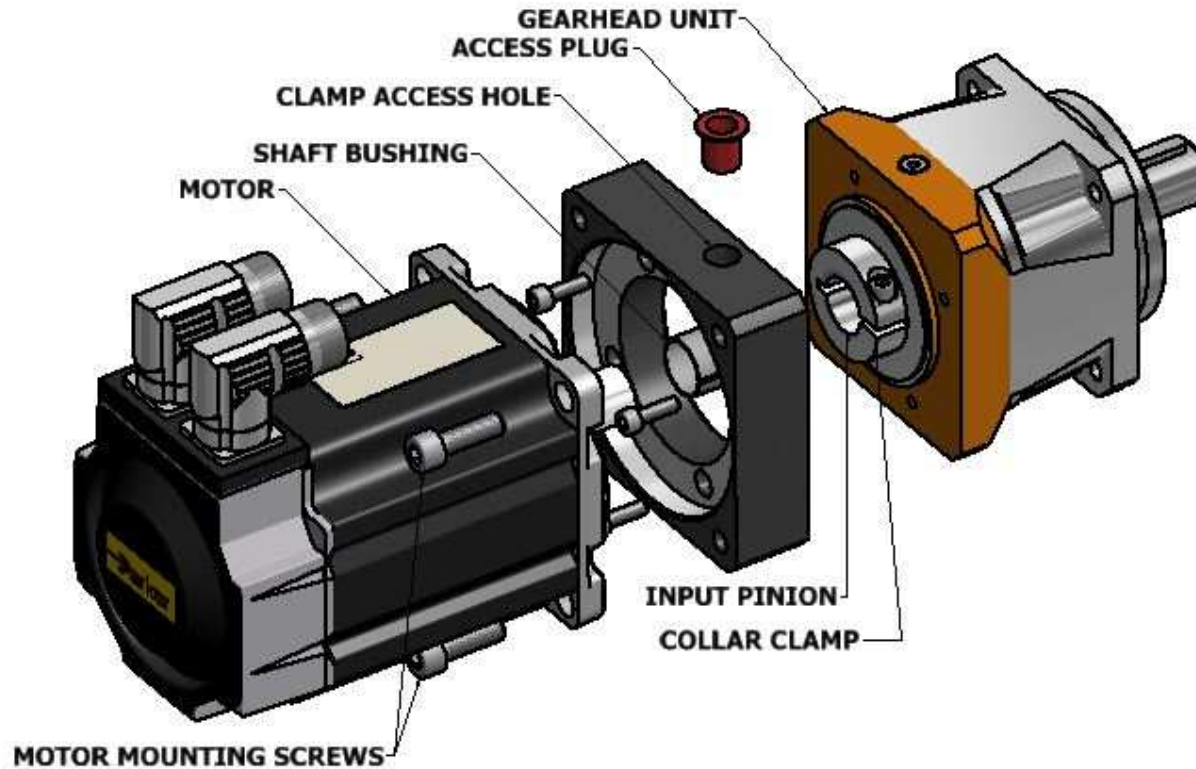


Stealth Gen I & Gen II Mounting Kits



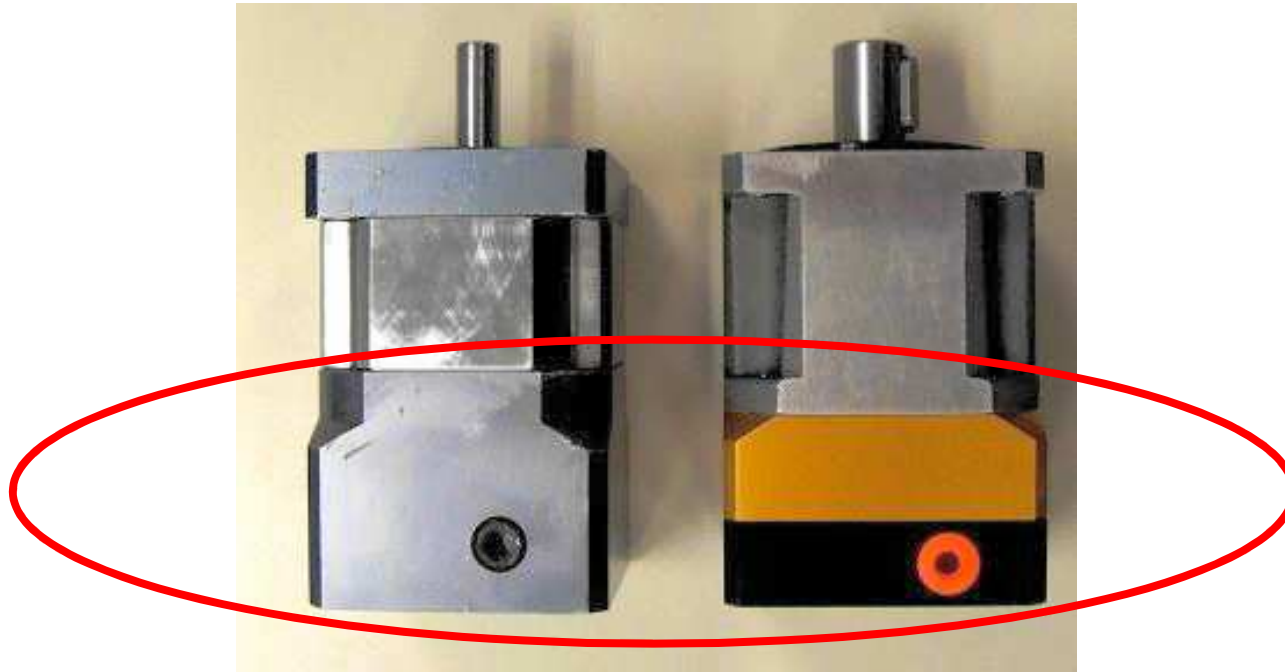
ENGINEERING YOUR SUCCESS.

Gen II (PS/PX/RS/RX)



Mounting kits include:
Adapter Flange with plug
Motor Mounting screws
Flange Mounting screws
Shaft Bushing

Stealth Gen I vs Gen II (PS/PX/RS/RX)



Gen I

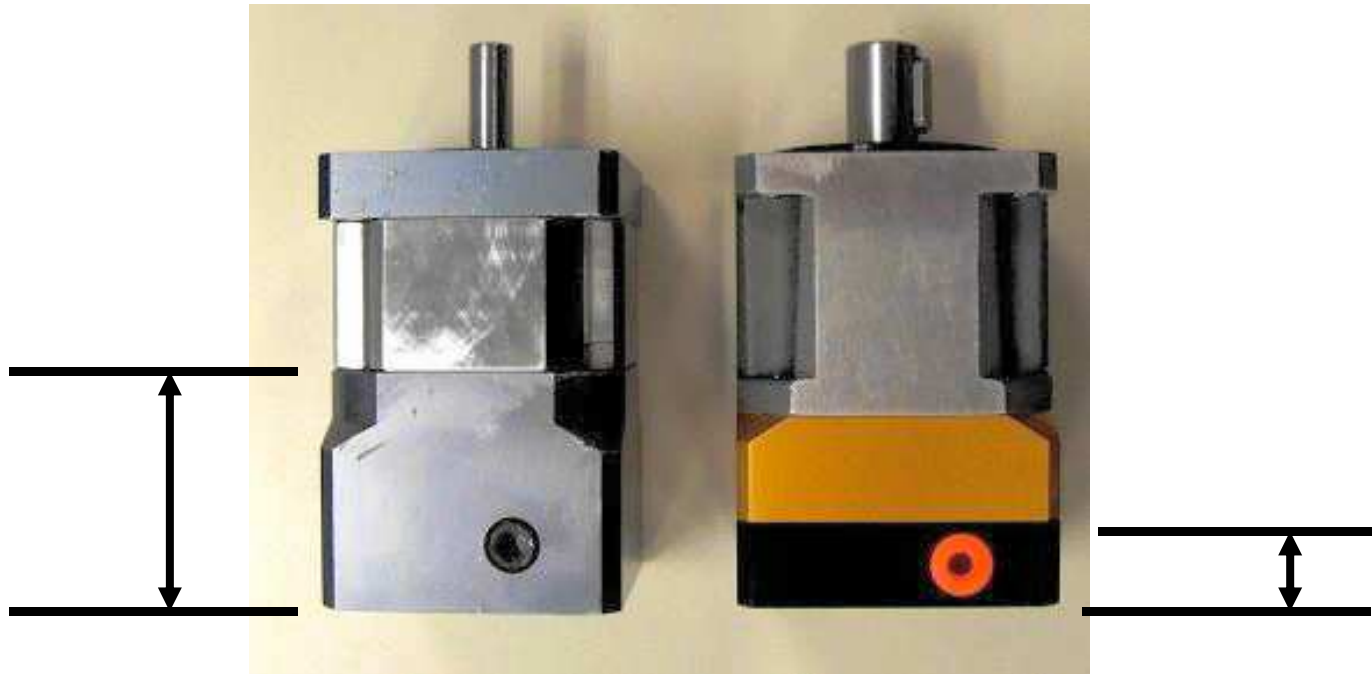
- Rear Housing + Motor mount is 1 piece

Gen II

- Rear Housing part of gearhead (gold anodized)
- Mounting Kit easy as ABC =Adapter (black anodize), Bushing & Collet



Gen I vs Gen II



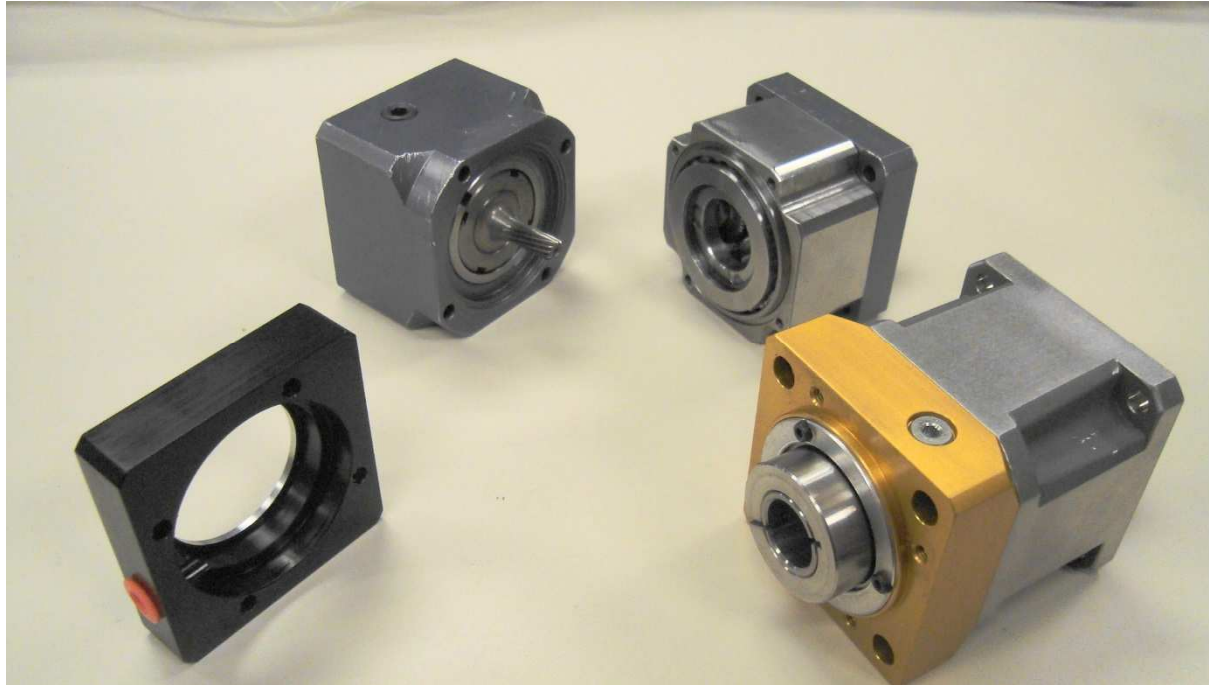
Gen I

- Adapter length varied from kit to kit
- Included in price of gearhead unless oversized or C-faced motor

Gen II

- Most adapters use either a Short or Long based on motor shaft length (see catalog/brochure)
- There is a price on the mounting kits, but list price of gearhead was decreased by the same amount so overall price same.

Gen I vs Gen II



Gen I

- PS used MT mounting kit
- PX used MX mounting kit
- RS & RX used MZ kits
- Pinion is captured in kit

Gen II

- All use MU mounting kits
- Pinion & Collar are part of gearhead
- Bushing is part of kit
 - Already inserted when ordered with gearhead

Gen I



- Mounting kit included in price of gearhead unless oversized or C-Faced
- If ordering by itself, required custom quote.
 - Sun/pinion gear changed sizes based on gearhead ratio
 - Oil can leak out of gearhead when removing the mounting kit.
- **Gen I gearheads cannot be shipped without a kit**
 - Oil would be leaking out as the kit is rear housing with motor adapter
- Pinions cannot easily be removed from kit (requires spanner wrench)

Gen II



- Gearhead is sealed (rear housing is Gold) = No leaks when changing kits
 - Magnetic oil plug for service
- Two standard Adapter plates per frame size = Faster delivery
- Orange plug allows hex key to tighten pinion collet through adapter plate
- Gearhead length increases typically .5-inch

Mounting Kit Search Tool

Motor Mounting Kit Search:
This tool will provide the correct mounting kit part number for a specific motor and gearhead.

1. Select Motor Manufacturer
2. Select Motor Model Number
3. Select Gearhead Series
4. Select Gearhead Frame Size

[VIDEO: Mounting Kit Selection](#)
[Mounting Kit Components](#)
[Recommended Motor Shaft Features](#)

Parker North America
MPP092
PS
90

MU90-092
Adaptor Len(AD): 20
Shaft Dia(A): 16
Pilot Dia(B): 80
Bolt Hole(C): M6
Bolt Cir(D): 100
Shaft Lg(E): 40
UNIT: N/A
COMMENTS:

- Where? www.parkermotion.com > on the right side, click on Motor Mounting Search
- How? Select the Manufacturer & Model number, and then the gearhead model and frame size.
- Displays general motor dimensions and adapter thickness (AD).

